

CONSOLE ADVANCE

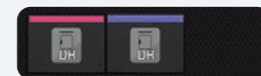
Integrated Console



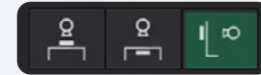
Integrated and optimized workflow and high image quality

Detector Console and X-ray controller are integrated, displaying in the same monitor. Setting the exposure condition and selecting the exposure menu can be done in the same PC.

Technique select buttons



• Console side



• X-ray operation panel side

Status display for DR panel



• Wireless connection level
• Battery charge level, etc.*

Install FDR D-EVO II to achieve high quality low-dose imaging

Dynamic Visualization II

Optimizes image quality using latest Exposure Data Recognizer

Advanced recognition algorithms automatically adjust contrast and density for individual body parts based on calculation of estimated 3D image data. (Option)



Dynamic Visualization II



Conventional Processing



Dynamic Visualization II *Internal study

Flexible Noise Control (FNC)

Reduces image noise elements to improve low-dose imaging

Recognizes complex structural patterns contained in images, then estimates the amount of noise to greatly reduce noise elements. The signal is separated from noise elements to reduce the graininess of images captured through low-dose imaging.



FNC not supported



FNC supported *Internal study

FUJIFILM DR Series



Product name	D-EVO II G35	D-EVO II G43	D-EVO II C35	D-EVO II C43	D-EVO II C24	FDR SE Lite G35/C35*	FDR SE Lite G43/C43*
Scintillator	GOS (Gadolinium oxysulfide)	GOS (Gadolinium oxysulfide)	CsI (Cesium Iodide)	CsI (Cesium Iodide)	CsI (Cesium Iodide)	GOS / CsI	GOS / CsI
Detector size	460 × 384 × 15mm (Approx.)	460 × 460 × 15mm (Approx.)	460 × 384 × 15mm (Approx.)	460 × 460 × 15mm (Approx.)	328 × 268 × 15mm (Approx.)	460 × 384 × 15mm (Approx.)	460 × 460 × 15mm (Approx.)
Weight	Approx. 2.5kg (including battery)	Approx. 3.1kg (including battery)	Approx. 2.6kg (including battery)	Approx. 3.2kg (including battery)	Approx. 1.5kg (including battery)	Approx. 3.0kg (including battery)	Approx. 4.0kg (including battery)

FDR Smart X Compact series is a combination system by DRGEM Corporation under the MDR Article 22.

*FDR SE Lite cannot be connected to Console Advance.

• Specifications are subject to change without prior notice. • All brand names or trademarks are the property of their respective owners.
• All products require the regulatory approval of the importing country. • For details on their availability, contact our local representative.
• FDR Smart X Compact series is a combination system by DRGEM Corporation under the EU MDR Article 22.
• This system consists of "FDR Smart FGXR-ES series" (Manufacturer: DRGEM Corporation), "FDR D-EVO II" (Manufacturer: DR-ID1200 by FUJIFILM Corporation), "FDR SE Lite" (Manufacturer: iRay technology Taicang Ltd) and FDR SE Console (Manufacturer: DR-ID330CL by FUJIFILM Corporation).

FUJIFILM
Value from Innovation

NEW
FDR Smart X
COMPACT SERIES



A Compact, Efficient Solution

FUJIFILM

FUJIFILM Corporation

26-30, NISHIAZABU 2-CHOME, MINATO-KU, TOKYO 106-8620, JAPAN
<http://www.fujifilm.com/products/medical/>

Ref. No. XB-1068E (SK-20-06-F1079-F8598) Printed in Japan ©2021 FUJIFILM Corporation

From equipment to image capture: All is Compact

Space-saving rail

The tube stand moves smoothly along the rail attached to the patient table. The rail is right next to the patient table, so no extra space is required.



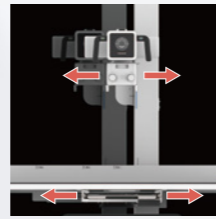
Angle meter

The tube unit has an angle meter to help you easily determine the proper angle.



Auto tracking

The cassette tray tracks the movement of the tube to help with determining positioning when capturing an image.



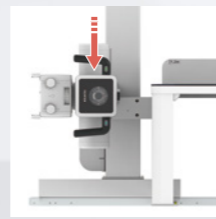
LED light collimator

An LED light supplies light for the irradiation field lamp. The light is highly durable and brightly illuminates the exposure area.



The X-ray tube can be moved to below the table (Option)

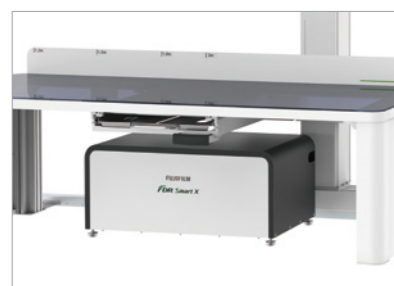
Equip the long rail to enable the X-ray tube to be moved below the patient table and shot lower limbs.



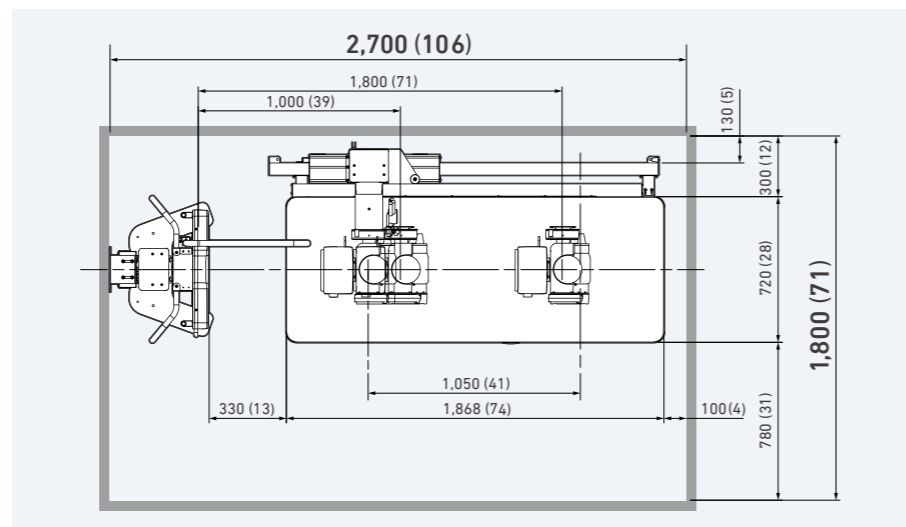
Compact system configuration

Compact equipment that works in any location

The high voltage generator is located under the patient table to reduce the installation space.



Minimum Room Layout Unit mm (in.)



Customizable product design A variety of features can be customized

Tube stand		Bucky stand		Patient table
TS-FT6	TS-FT4	WBS	WBS-E	PBT-E